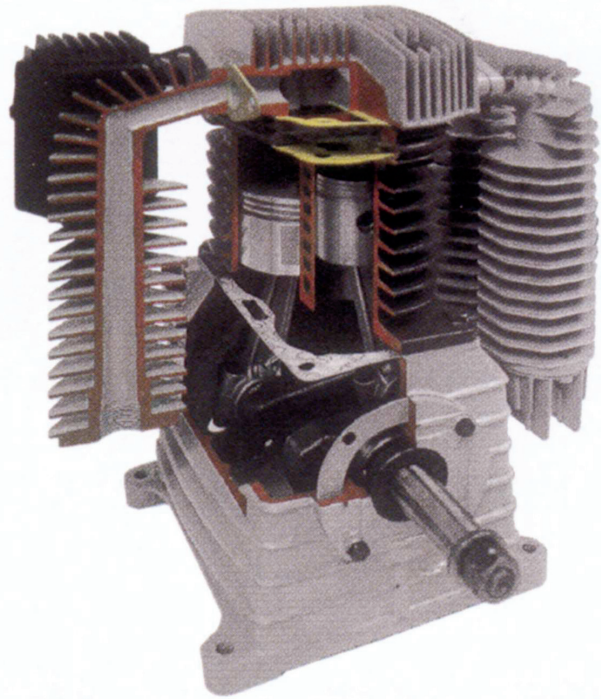




ZetaLube

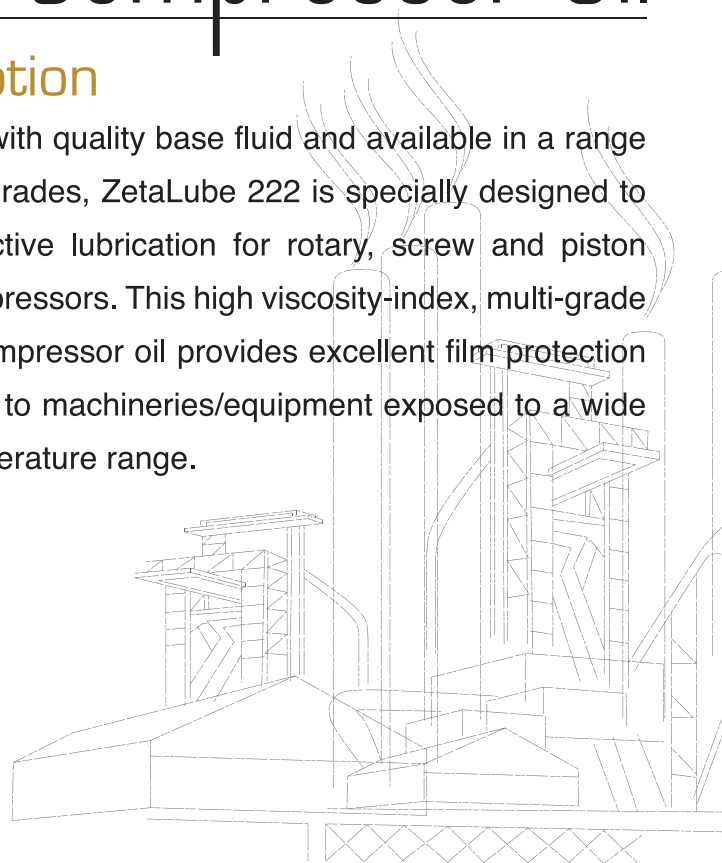
A New Lubricity Dimension
Evolved From Experience



ZetaLube 222 Compressor Oil

Description

Formulated with quality base fluid and available in a range of viscosity grades, ZetaLube 222 is specially designed to provide effective lubrication for rotary, screw and piston type air compressors. This high viscosity-index, multi-grade anti-wear compressor oil provides excellent film protection and strength to machineries/equipment exposed to a wide service temperature range.



MAGNA INDUSTRIAL CO. LIMITED
Total Quality Maintenance

www.magnagroup.com

Magna Industrial reserves the right to modify or change this product for purpose of improving its performance characteristics ©2009 Magna Industrial Co. Limited.

The ZetaLube trade mark is the property of ITW, Inc. and is used under licence by Magna Industrial Co. Limited



Features and Benefits

- Special additives to provide superior load-carrying capability and protection against wear to the load bearing surfaces of machinery/equipment.
- High viscosity index and wide service temperature range.
- Excellent oxidation resistance – prevents build-ups of sludge and varnish which causes breakdown.
- Low acid value and good resistance to corrosion – extends service life of machinery/equipment.
- Good shear stability and lubricity to provide extra anti-wear protection to machinery/equipment.

Recommended Applications

- For all types of air compressors including:
 - Rotary Compressors
 - Centrifugal Compressors
 - Screw Type Compressors
 - Axial Flow Compressors
 - Gear Compressors
- For all types of vacuum pumps.
- Available in ISO VG 46, ISO VG 68 & ISO VG 100.

Typical Data

TEST	ASTM TEST METHOD	ISO VG 46	ISO VG 68	ISO VG 100
Colour	Visual	Amber	Amber	Amber
Density, kg/L @ 15°C	D-1298	0.887	0.887	0.889
Viscosity, cSt @ 40°C @ 100°C	D-445	46	68	100
	D-445	6.8	8.7	14.2
Viscosity Index	D-2270	101	100	98
Flash Point, COC, °C	D-92	235	243	261
Pour Point °C	D-97	-27	-27	-27
Total Acid Number, mg KOH/g	D-974	0.61	0.61	0.61
Carbon Residue, Conradson, %	D-524	0.02	0.03	0.06
Foaming Characteristics All Sequences, After Settling	D-892	Nil	Nil	Nil
Rust-Preventing Characteristics	D-665	Pass	Pass	Pass

The data shown is typical value and may vary.

Pack-size

205 Litre Metal Drum & 20 Litre Plastic Container

Authorized Distributor